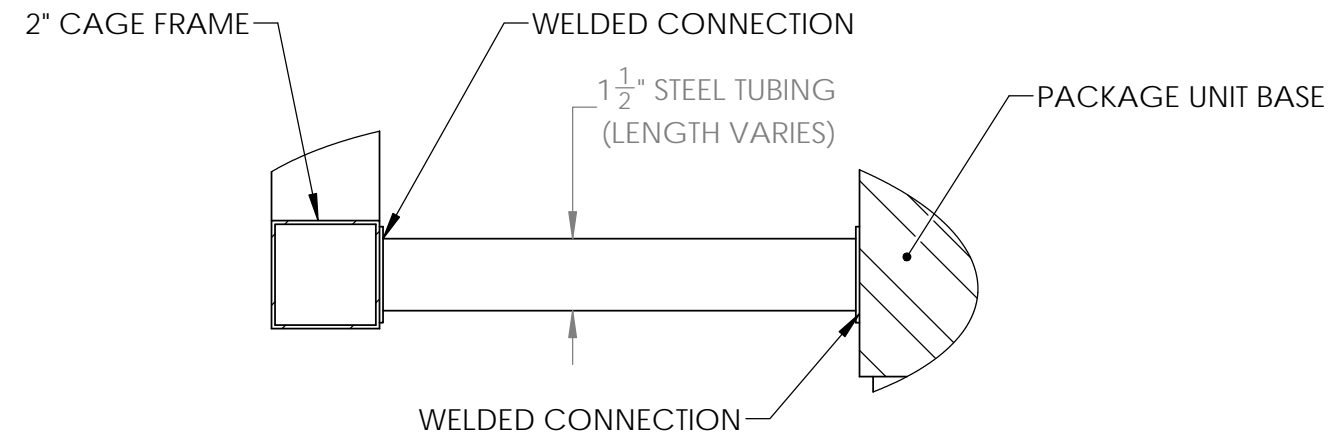
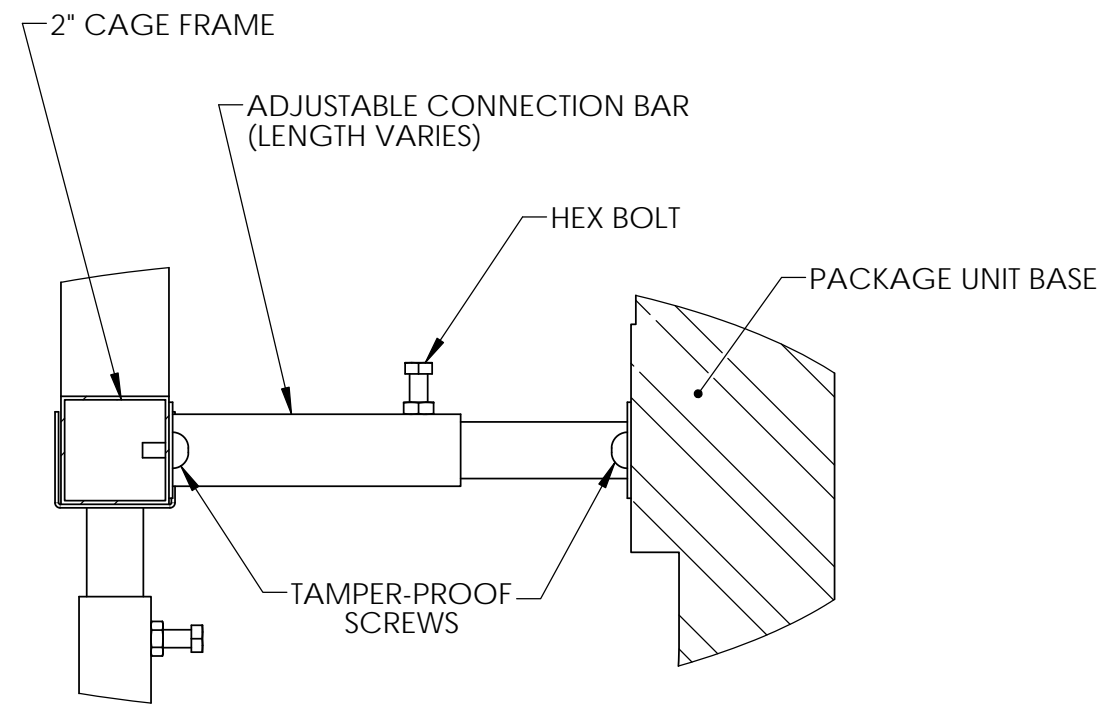


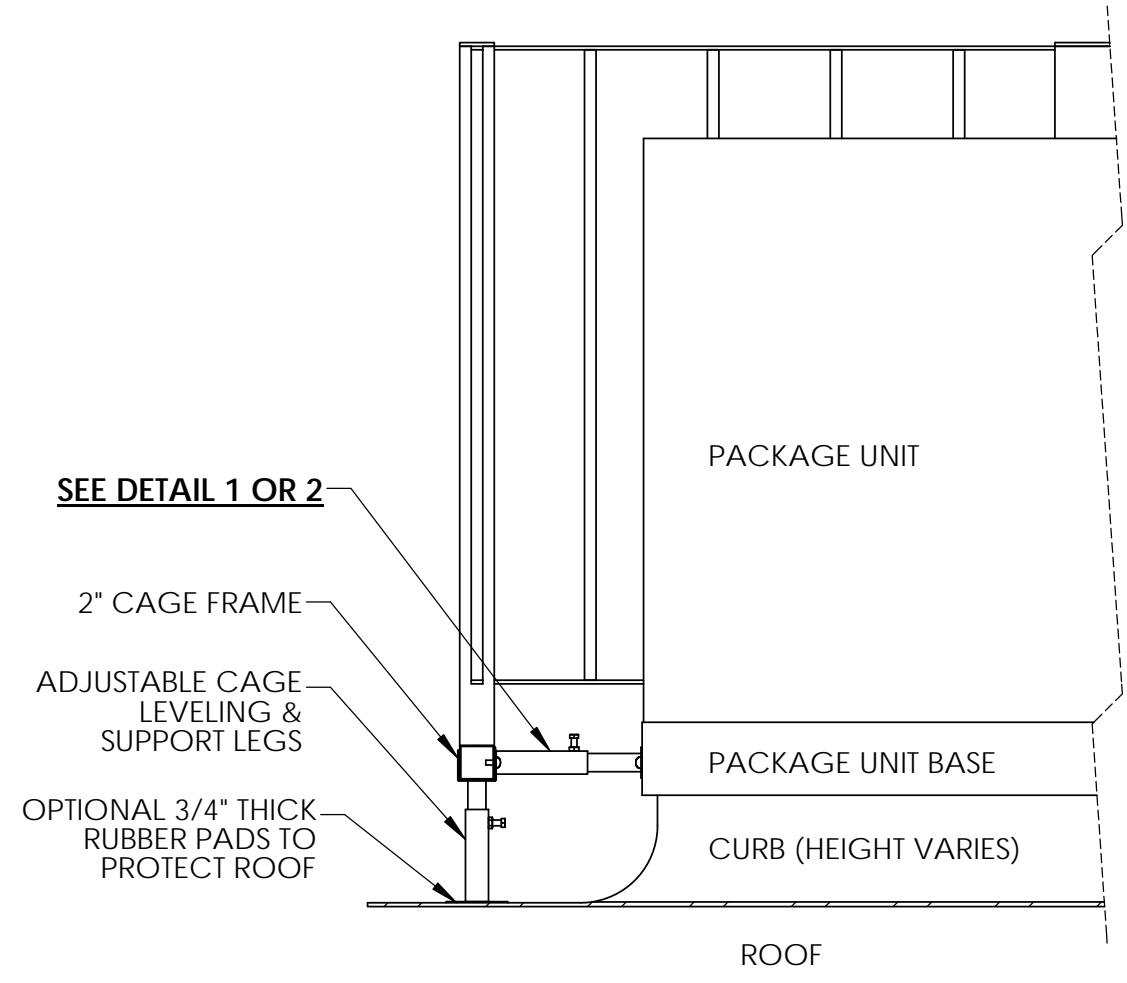
REVISIONS				
ZONE	REV.	DESCRIPTION	DATE	APPROVED



CONNECTION DETAIL 1



CONNECTION DETAIL 2



SEE DETAIL 1 OR 2

NOTE:
IF THE PACKAGE UNIT BASE IS NOT LEVEL WITH THE 2" CAGE FRAME, CONNECTION CAN BE MADE AT ANY HEIGHT ON THE 1/2" POSTS THAT ARE WELDED TO THE 2" CAGE FRAME.

UNLESS OTHERWISE SPECIFIED - DIMENSIONS ARE IN INCHES & TOLERANCES AS FOLLOWS:
MACHINED ITEMS: .x ±.06 Angular: ±1°
.xx ±.02 Fractional: ±1/64
.xxx ±.015 Finish: 32/
FABRICATED ITEMS: Fractional: ±1/64
Angular: ±1° General Dimensions incl. Hole Diameters: ±.015
Hardware Hole Dia: ±.010
Countersink Major Dia: ±.010 Minor Dia: ±.010
Edge to Bend across 1 or 2 bends: ±.015
Edge to Bend across more than 2 bends: ±.030
Edge to Edge across up to 3 bends: ±.060
Edge to Edge across 4 bends: ±.060
For each additional bend add ±.015
Hole to Edge: ±.015 Hole to Bend: ±.015
Hole to Hole on same plane: ±.010
Hole to Hole on different parallel planes: ±.015
Part to Part in assembly: ±.015

PROPRIETARY AND CONFIDENTIAL
THE INFORMATION CONTAINED IN THIS DRAWING IS THE SOLE PROPERTY OF International Architectural Metals.
ANY REPRODUCTION IN PART OR AS A WHOLE WITHOUT WRITTEN PERMISSION FROM International Architectural Metals IS STRICTLY PROHIBITED.
QTY: 1
WT: \$PRP: "Weight" lb.



www.iam-metals.com
11828 Classic Lane,
Forney, Texas 75126
972.564.3388



DRAWN	B.Lentz	03/08/12
APPROVED	SS	
INTERPRET PER ANSI Y-14.5M DO NOT SCALE DRAWING		
<i>A Legacy You Can Be Proud Of!</i> Deuteronomy 6: 7-8		

CAGE CONNECTION		
SIZE	DWG. NO.	REV
B	FF_002732	
SCALE: 1:4	SHEET 1 OF 1	

PATENT PENDING

D:\Texas CADDpro LLC\Solidworks\062 - Forney Fence Supply\120229 - T-Rex AC Cages\FF_002732.SLDDRW

Forney Fence Supply
Template B1 Rev 00
03/01/2012 - BAL