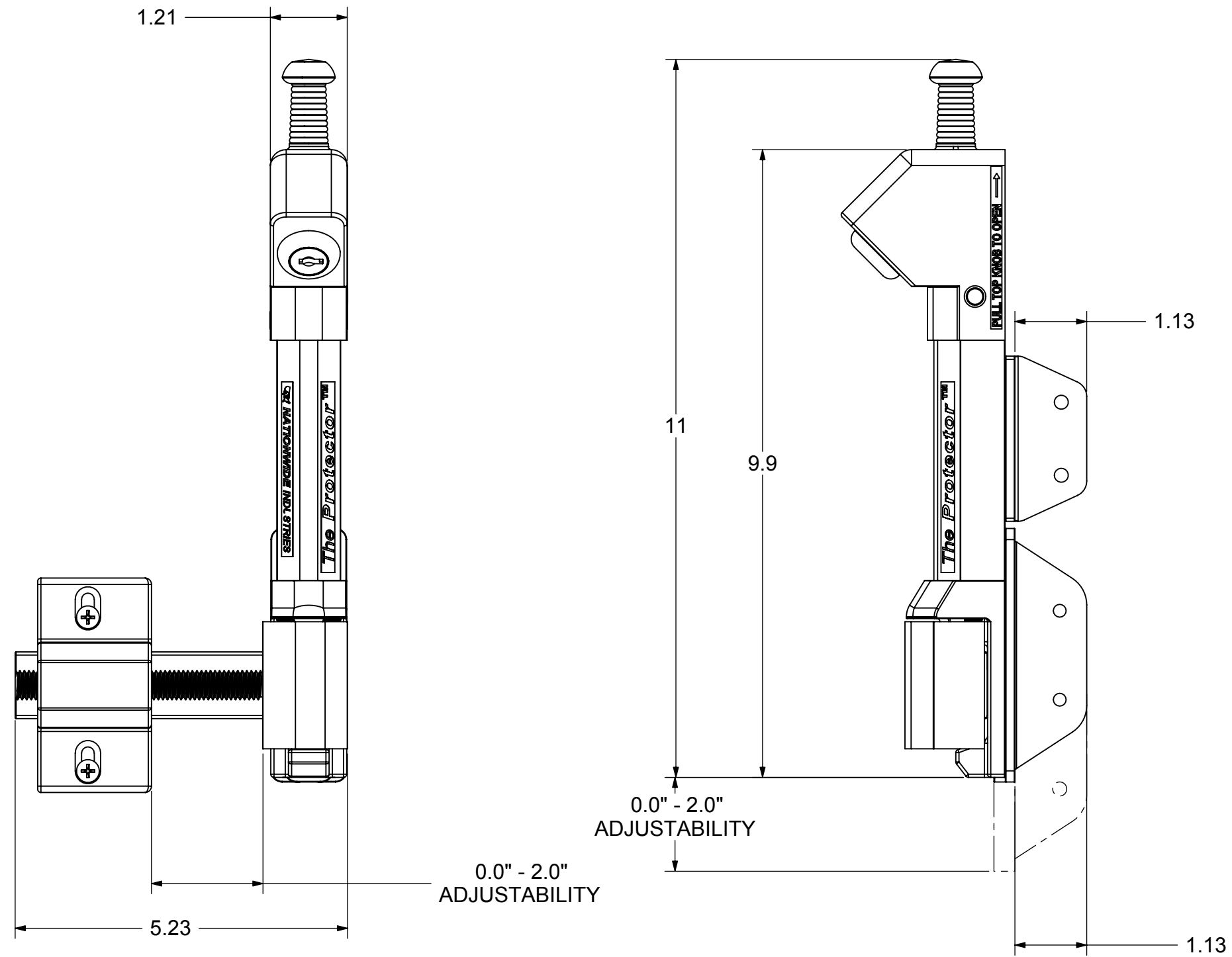
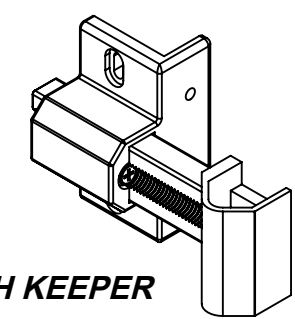


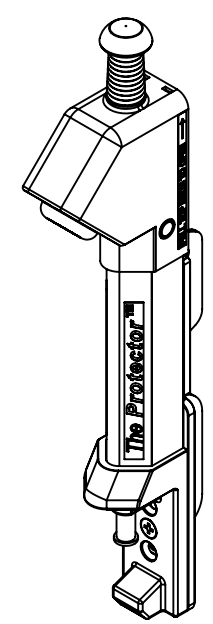
REVISIONS		DATE	APPROVED
ECR/DCR	REV.		
	-	4-27-07	BKF
DESCRIPTION			
INITIAL RELEASE			



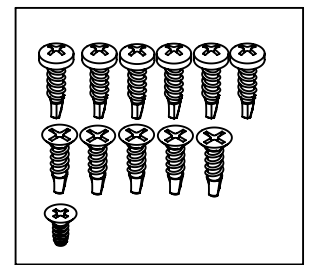
KEYS



LATCH KEEPER



LATCH BODY



SCREW KIT

DRAFT COPY

PROPRIETARY AND CONFIDENTIAL

THE INFORMATION CONTAINED IN THIS DRAWING IS THE SOLE PROPERTY OF NATIONWIDE INDUSTRIES. ANY REPRODUCTION IN PART OR AS A WHOLE WITHOUT THE WRITTEN PERMISSION OF NATIONWIDE INDUSTRIES IS PROHIBITED.

DO NOT SCALE DRAWING



THE PROTECTOR[®]
Jr. MAGNETIC SAFETY LATCH

SIZE	DWG. NO.	REV.
B	CS--NW308	-